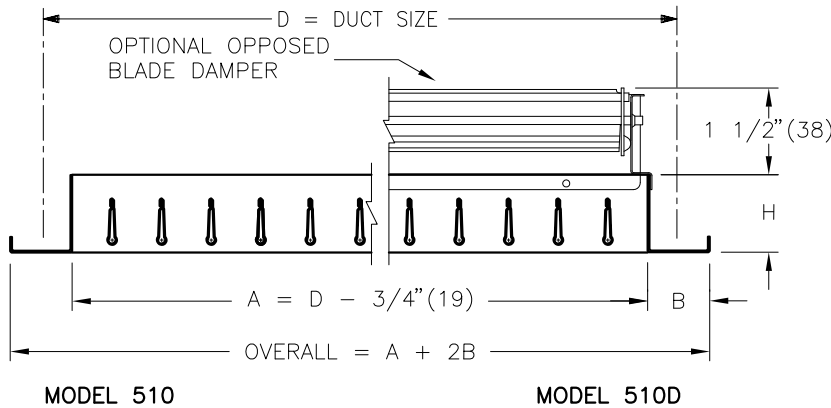


**500 SUPPLY GRILLES & REGISTERS**



**MATERIAL:**

- STEEL CONSTRUCTION

**FINISH:**

- B12 WHITE  
(OPTIONAL FINISHES AVAILABLE)

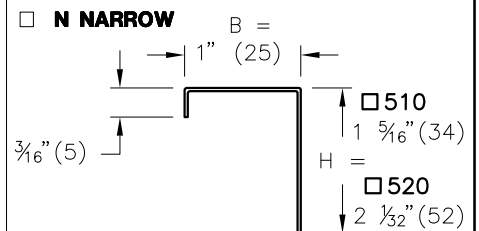
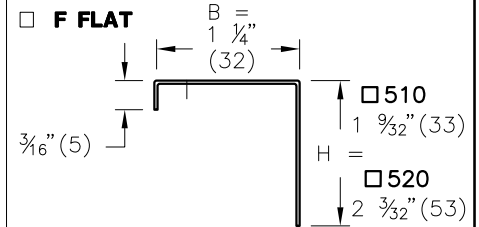
**OPTION:**

- C/W COATED STEEL OPPOSED BLADE DAMPER (SPECIFY 510D OR 520D)
- IS - INSECT SCREEN, 18/16 MESH (NOT RECOMMENDED WITH OPTIONAL OPPOSED BLADE DAMPER)

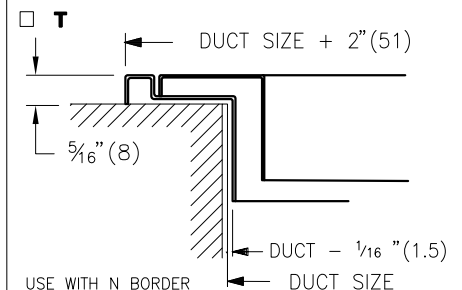
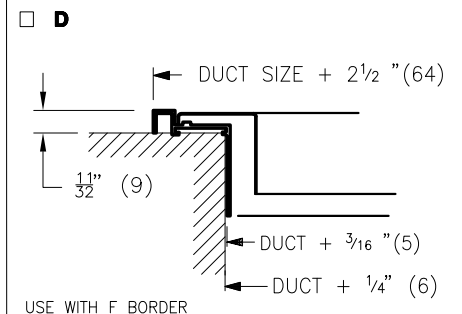
**NOTE:**

- STANDARD CONSTRUCTION WITH A MULLION: A MULLION IS PROVIDED WHEN NOMINAL SIZE GRILLE DIMENSIONS EXCEED 24" (610) FOR UNEVEN NOMINAL SIZE GRILLE DIMENSIONS EG. 45X6, THE MULLION IS POSITIONED 1/2" (12) FROM THE CENTRE OF THE GRILLE.
- INDIVIDUALLY ADJUSTABLE BLADES
- TYPE A FASTENING - COUNTERSUNK SCREWHOLE FOR NO.8 S.M.S. PER FACTORY STANDARD (SCREWS SUPPLIED)
- AVAILABLE SIZES :  
MIN. - 6" X 4" (152 X 102)  
MAX. - 48" X 48" (1219 X 1219)  
(ONE PIECE CONSTRUCTION)
- OVERSIZE UNITS AVAILABLE C/W NARROW FLANGE OR DUCT CHANNEL
- BLADE ORIENTATION - FRONT SET  
- L = PARALLEL TO LONG DIMENSION  
- S = PARALLEL TO SHORT DIMENSION

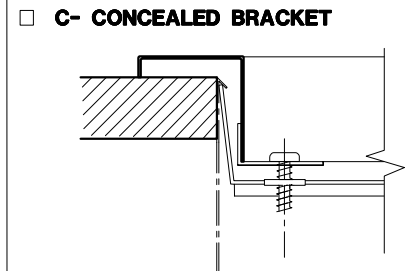
**BORDERS:**



**MOUNTING FRAMES:**

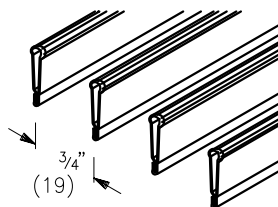


**FASTENING:**

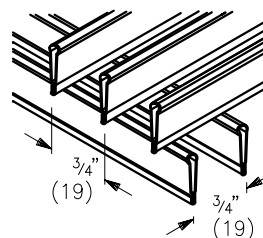


**CORE STYLES:**

- 510/L
- 510/S



- 520/L
- 520/S



ALL METRIC DIMENSIONS ( ) ARE SOFT CONVERTED. IMPERIAL DIMENSIONS ARE CONVERTED TO METRIC AND ROUNDED TO THE NEAREST MILLIMETER.

**PROJECT:**

**ENGINEER:**

**CUSTOMER:**

**SUBMITTAL DATE:**

**SPEC. SYMBOL:**



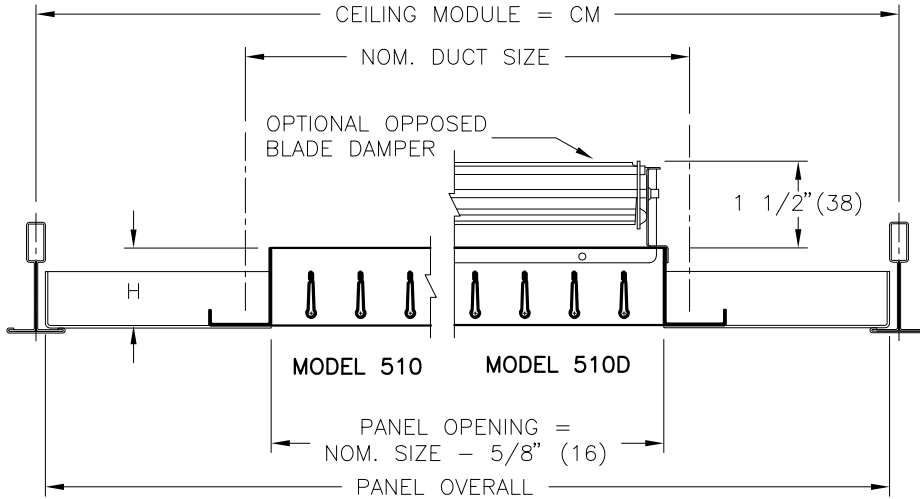
*RV*

219693

2012/03/28

**510/520**  
STEEL SUPPLY  
GRILLES & REGISTERS

**500 SERIES PANEL MOUNTED SUPPLY AIR GRILLES**



**MATERIAL:**

- GRILLE: STEEL CONSTRUCTION
- PANEL: STEEL CONSTRUCTION

**FINISH:**

- B12 WHITE
- (OPTIONAL FINISHES AVAILABLE)

**OPTION:**

- C/W COATED STEEL OPPOSED BLADE DAMPER (SPECIFY 510D OR 520D)

**NOTES:**

- MODULE SIZE AND NOM. GRILLE SIZE MUST BE SPECIFIED

**DIMENSIONING SCHEDULE**

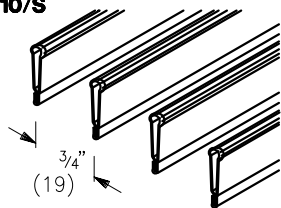
	H
<b>510</b>	1 9/32" (33)
<b>520</b>	2 3/32" (53)

NOMINAL MODULE SIZES	MAXIMUM GRILLE SIZES
12" x 12" - 300mm x 300mm	8" x 8"
24" x 12" - 600mm x 300mm	20" x 8"
24" x 24" - 600mm x 600mm	20" x 20"
48" x 24" - 1200mm x 600mm	44" x 20"

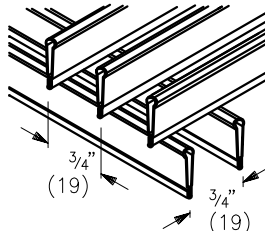
- FACTORY TOLERANCE  $\pm 1/32$ " (1)

**CORE STYLES:**

- 510/L
- 510/S



- 520/L
- 520/S



ALL METRIC DIMENSIONS ( ) ARE SOFT CONVERTED. IMPERIAL DIMENSIONS ARE CONVERTED TO METRIC AND ROUNDED TO THE NEAREST MILLIMETER.

**3P T-BAR**

**916P T-BAR**

**17P FINELINE T-BAR**

**PROJECT:**

**ENGINEER:**

**CUSTOMER:**

**SUBMITTAL DATE:**

**SPEC. SYMBOL:**



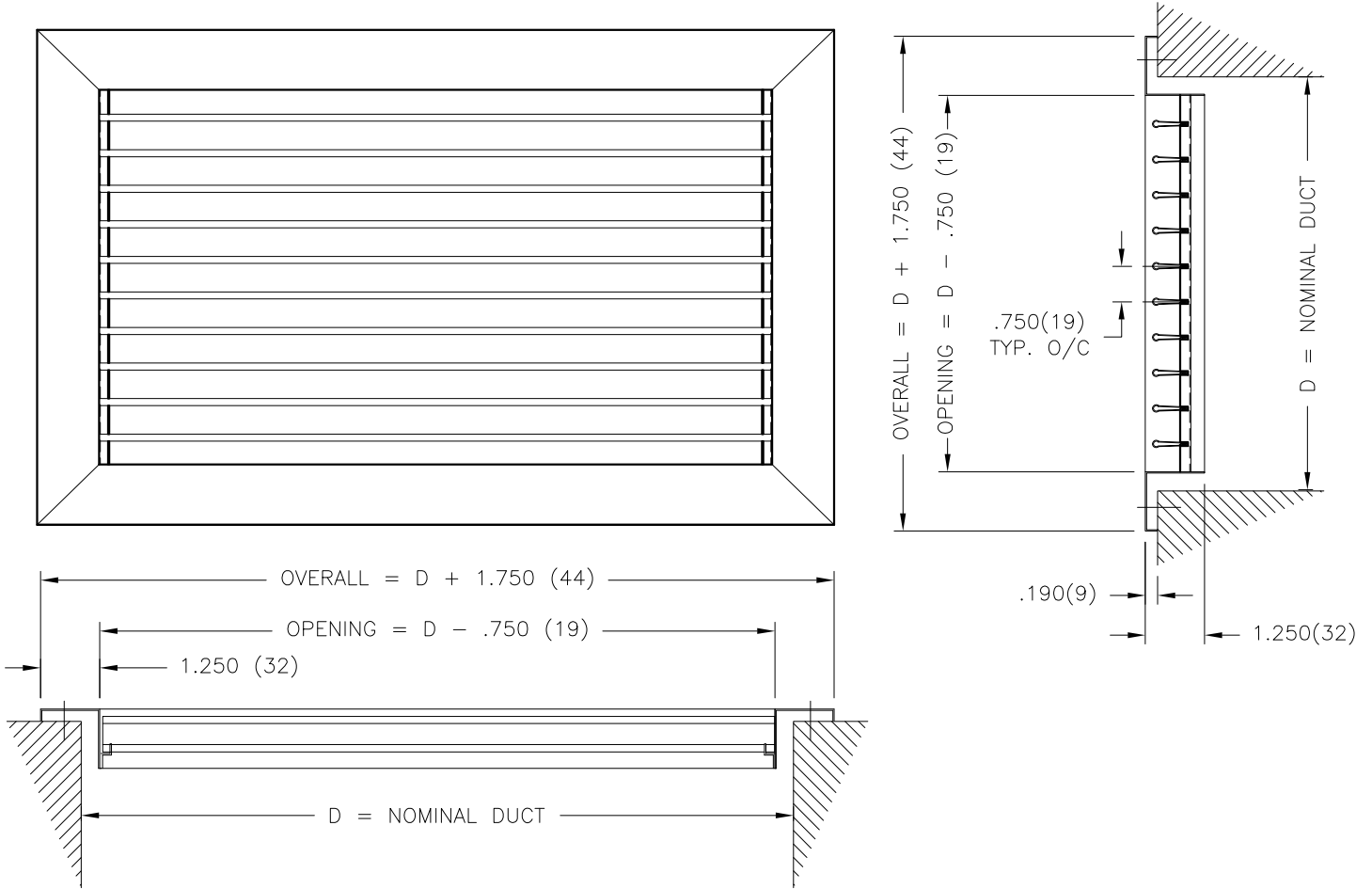
*RV*

219693

2012/03/28

**510/520**  
STEEL SUPPLY  
GRILLES & REGISTERS

**510Z RETURN AIR GRILLE ZERO° DEFLECTION**



**MATERIAL:**

- STEEL CONSTRUCTION

**FINISH:**

- B12 WHITE  
(OPTIONAL FINISHES AVAILABLE)

**NOTES:**

- STANDARD BLADE MULLION NOT TO EXCEED 24(609) O/C. MAX.
- TYPE A COUNTERSUNK SCREW MOUNTING WITH #8-S.M.S. - PER FACTORY STANDARD
- FOR ALTERNATE FASTENING & MOUNTING FRAME OPTIONS - REFER TO GENERAL SUPPLY GRILLE SUBMITTAL
- BLADES FIXED AT 0° DEFLECTION.
- 510Z/F/L TYPE SHOWN ABOVE
- MINIMUM - 6 x 4 (152 x 102)
- MAXIMUM - 36 x 36 (914 x 914)
- FACTORY TOLERANCE ± 1/32 (1)

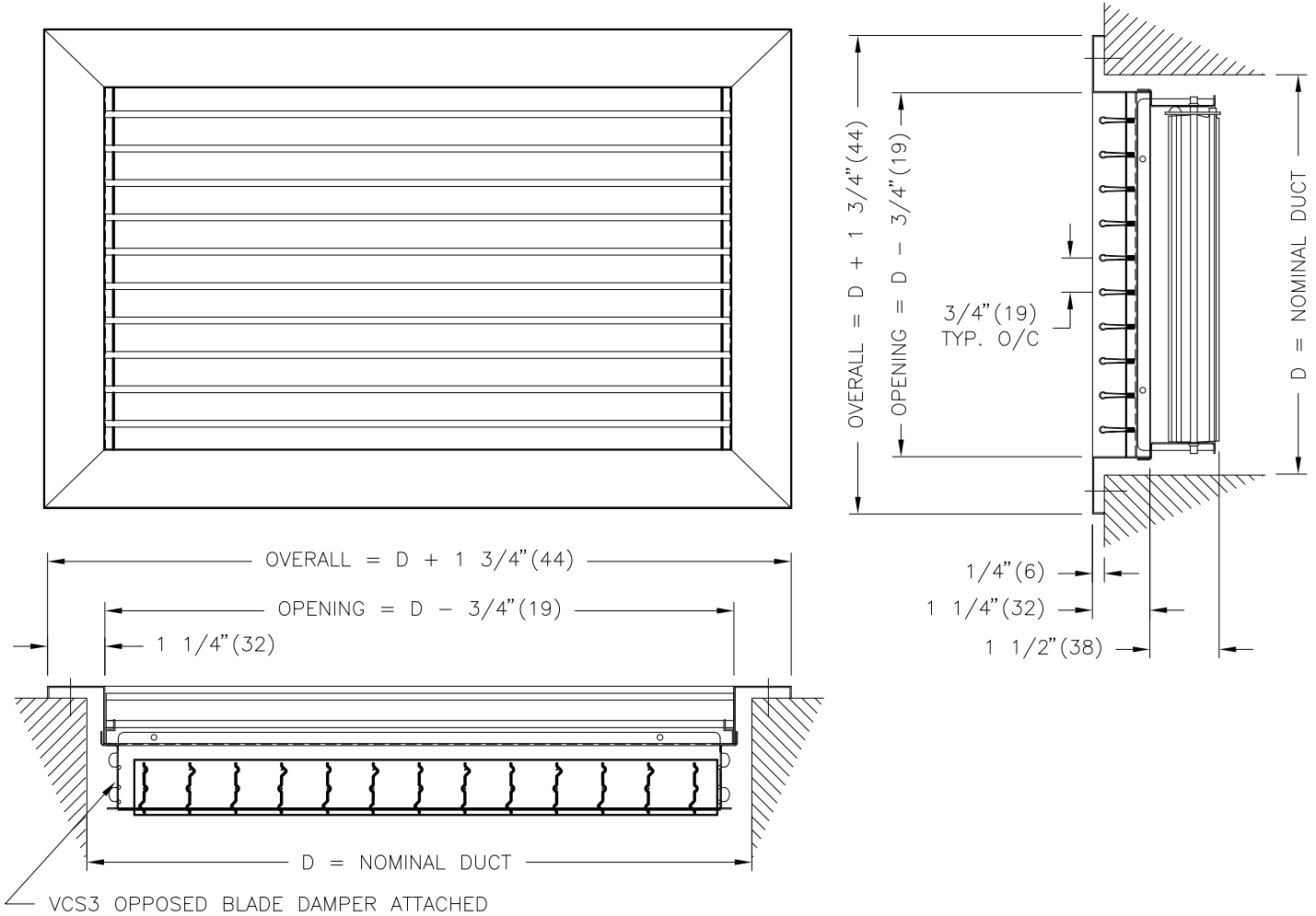
**OPTIONS:**

- 510Z/F/L - BLADES PARALLEL TO LONG DIMENSION
- 510Z/F/S - BLADES PARALLEL TO SHORT DIMENSION
- IS - INSECT SCREEN, 18/16 MESH

ALL METRIC DIMENSIONS ( ) ARE SOFT CONVERTED. IMPERIAL DIMENSIONS ARE CONVERTED TO METRIC AND ROUNDED TO THE NEAREST MILLIMETER.

<b>PROJECT:</b>		<b>PRICE</b> <sup>®</sup>	
<b>ENGINEER:</b>		 227321	<b>510Z</b> STEEL RETURN AIR GRILLE ZERO° DEFLECTION
<b>CUSTOMER:</b>			
<b>SUBMITTAL DATE:</b>	<b>SPEC. SYMBOL:</b>	SEP 2012	

**510ZD RETURN AIR REGISTER**



**MATERIAL:**

- GRILLE – STEEL CONSTRUCTION
- VCS3 – COATED STEEL OPPOSED BLADE DAMPER

**FINISH:**

- B12 WHITE (OPTIONAL FINISHES AVAILABLE)


**NOTES:**

- STANDARD BLADE MULLION NOT TO EXCEED 24" (610) O/C MAX.
- TYPE A COUNTERSUNK SCREW MOUNTING WITH #8 S.M.S. – PER FACTORY STANDARD
- FOR ALTERNATE FASTENING & MOUNTING FRAME OPTIONS – REFER TO GENERAL SUPPLY GRILLE SUBMITTAL
- 510ZD/F/L TYPE SHOWN ABOVE
- MINIMUM – 6" x 4" (152 x 102)
- MAXIMUM – 36" x 36" (914 x 914)
- FACTORY TOLERANCE ± 1/32 (1)

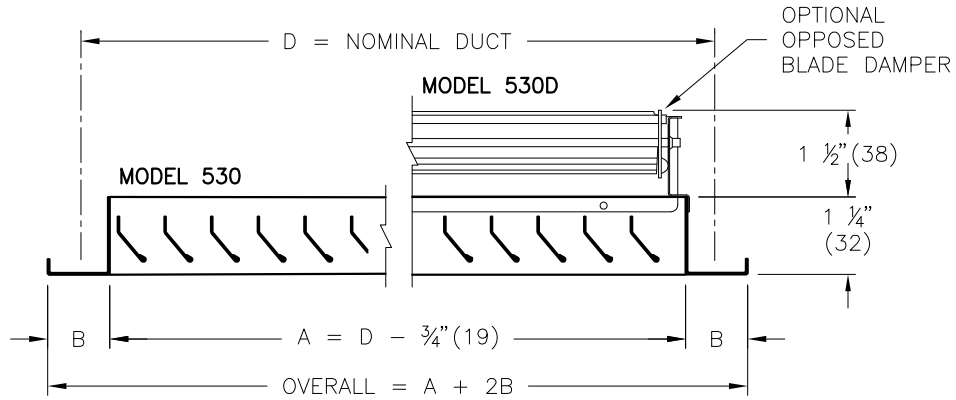
**OPTIONS:**

- 510ZD/F/L – BLADES PARALLEL TO LONG DIMENSION
- 510ZD/F/S – BLADES PARALLEL TO SHORT DIMENSION

ALL METRIC DIMENSIONS ( ) ARE SOFT CONVERTED. IMPERIAL DIMENSIONS ARE CONVERTED TO METRIC AND ROUNDED TO THE NEAREST MILLIMETER.

<b>PROJECT:</b>		<b>PRICE®</b>	
<b>ENGINEER:</b>		 227347	<b>510ZD</b> STEEL RETURN AIR REGISTER ZERO° DEFLECTION
<b>CUSTOMER:</b>			
<b>SUBMITTAL DATE:</b>	<b>SPEC. SYMBOL:</b>	SEPT. 2012	

**500 RETURN GRILLES & REGISTERS**



**MATERIAL:**

- STEEL CONSTRUCTION

**FINISH:**

- B12 WHITE (OPTIONAL FINISHES AVAILABLE)

**OPTION:**

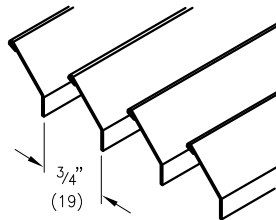
- C/W COATED STEEL OPPOSED BLADE DAMPER (SPECIFY 530D OR 535D)
- IS - INSECT SCREEN, 18/16 MESH (NOT AVAILABLE WITH OPTIONAL OPPOSED BLADE DAMPER)

**NOTE:**

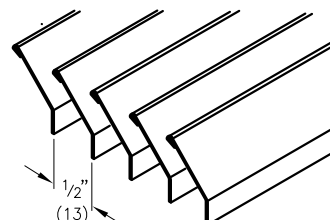
- TYPE A FASTENING - COUNTERSUNK SCREWHOLES FOR NO.8 S.M.S. PER FACTORY STANDARD (SCREWS SUPPLIED)
- TYPE C FASTENING - CONCEALED FASTENING (N/A WITH 535)
- AVAILABLE SIZES :  
MIN. - 6" X 4" (152 X 102)  
MAX. - 48" X 48" (1219 X 1219)  
(ONE PIECE CONSTRUCTION)
- OVERSIZE UNITS AVAILABLE C/W DUCT MOUNTING CHANNEL
- BLADE ORIENTATION - FRONT SET  
- L = PARALLEL TO LONG DIMENSION  
- S = PARALLEL TO SHORT DIMENSION

**CORE STYLES:**

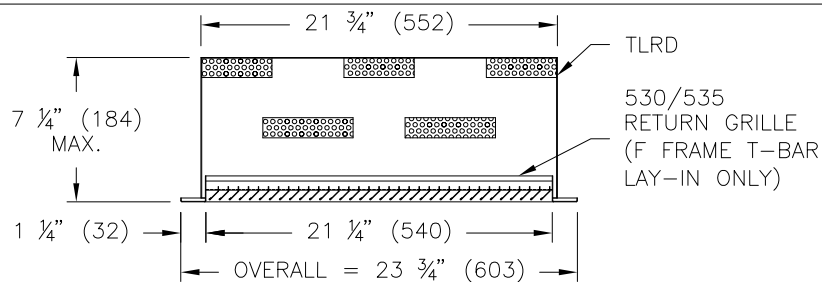
**530**



**535**



**TLRD OPTION (ORDERED AS SPECIAL)  
(NOM. DUCT SIZE 22" X 22" ONLY)**



ALL METRIC DIMENSIONS ( ) ARE SOFT CONVERTED. IMPERIAL DIMENSIONS ARE CONVERTED TO METRIC AND ROUNDED TO THE NEAREST MILLIMETER.

**PROJECT:**



**ENGINEER:**

*MG*

**530/535**

**CUSTOMER:**

219695

STEEL RETURN GRILLES & REGISTERS

**SUBMITTAL DATE:**

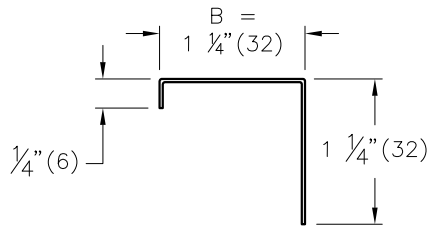
**SPEC. SYMBOL:**

2014/05/23

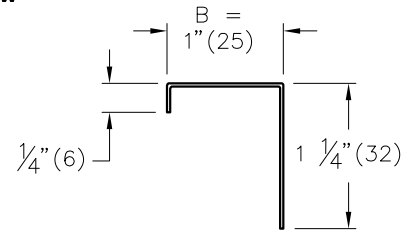
**500 RETURN GRILLES & REGISTERS MOUNTING OPTION AND BORDERS**

**BORDERS:**

**F FLAT**

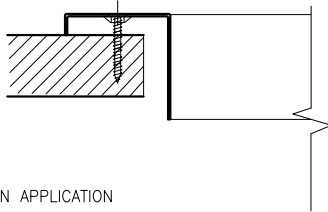


**N NARROW**



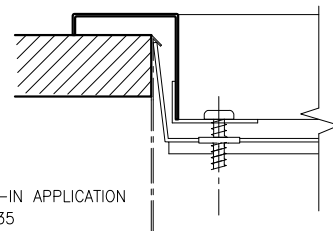
**FASTENING:**

**A- COUNTER SUNK SCREW**



N/A TO LAY-IN APPLICATION

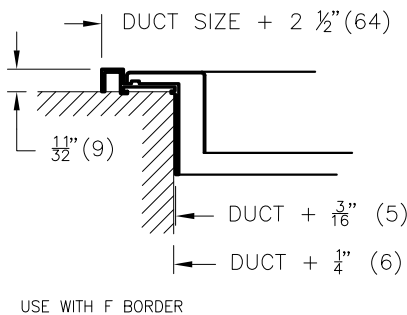
**C- CONCEALED BRACKET**



N/A TO LAY-IN APPLICATION  
N/A WITH 535

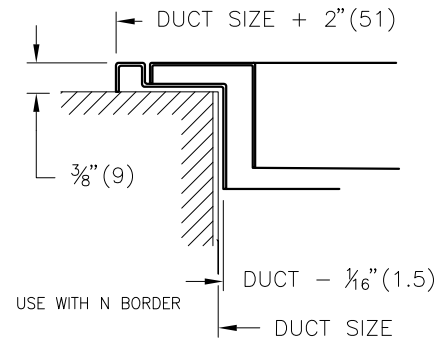
**MOUNTING FRAMES:**

**D**



USE WITH F BORDER

**T**



USE WITH N BORDER

ALL METRIC DIMENSIONS ( ) ARE SOFT CONVERTED. IMPERIAL DIMENSIONS ARE CONVERTED TO METRIC AND ROUNDED TO THE NEAREST MILLIMETER.

**PROJECT:**



**ENGINEER:**

*MG*

**530/535**

**CUSTOMER:**

219695

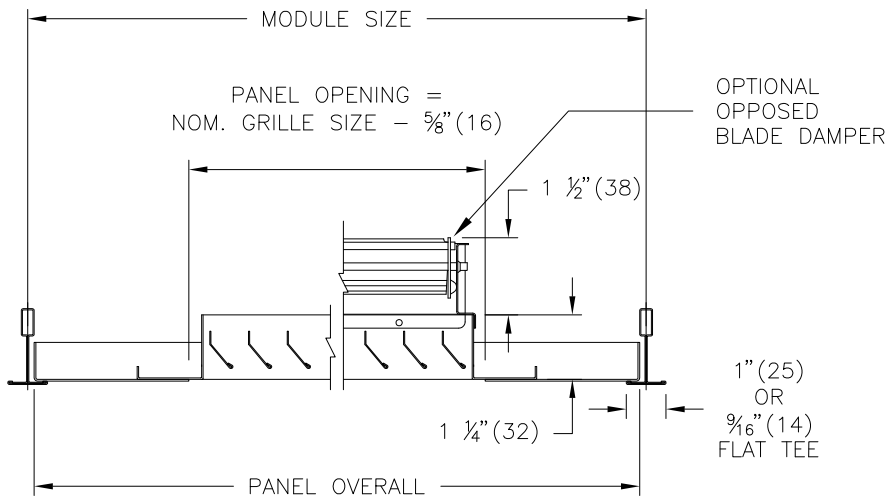
STEEL RETURN  
GRILLES & REGISTERS

**SUBMITTAL DATE:**

**SPEC. SYMBOL:**

2014/05/23

**500 SERIES PANEL MOUNTED RETURN AIR GRILLE**



**MATERIAL:**

- GRILLE: STEEL CONSTRUCTION
- PANEL: STEEL CONSTRUCTION

**FINISH:**

- FINISH OF PANEL TO MATCH GRILLE FINISH
- B12 WHITE (OPTIONAL FINISHES AVAILABLE)

**OPTION:**

- 530D OR 535D c/w COATED STEEL OPPOSED BLADE DAMPER

**NOTES:**

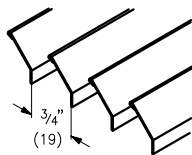
- MODULE SIZE AND NOM. GRILLE SIZE MUST BE SPECIFIED

NOMINAL MODULE SIZES	MAXIMUM GRILLE SIZES
12" x 12" - 300mm x 300mm	8" x 8"
24" x 12" - 600mm x 300mm	20" x 8"
24" x 24" - 600mm x 600mm	20" x 20"
48" x 24" - 1200mm x 600mm	44" x 20"

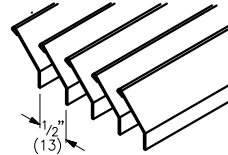
- FACTORY TOLERANCE  $\pm 1/32$ " (1)

**CORE STYLES:**

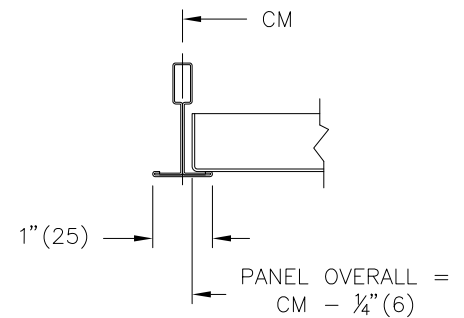
**530**



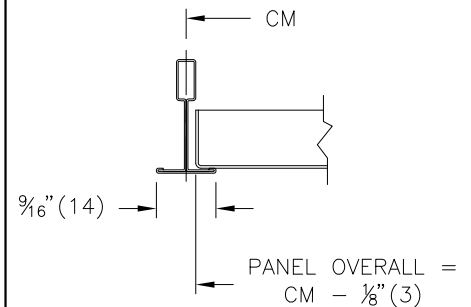
**535**



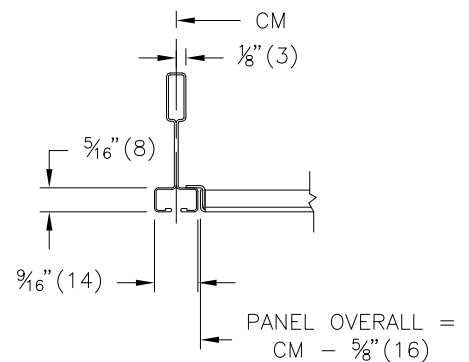
**3P T-BAR**



**916P T-BAR**



**17P FINELINE T-BAR**



ALL METRIC DIMENSIONS ( ) ARE SOFT CONVERTED. IMPERIAL DIMENSIONS ARE CONVERTED TO METRIC AND ROUNDED TO THE NEAREST MILLIMETER.

**PROJECT:**



**ENGINEER:**

*MQ*

**CUSTOMER:**

219695

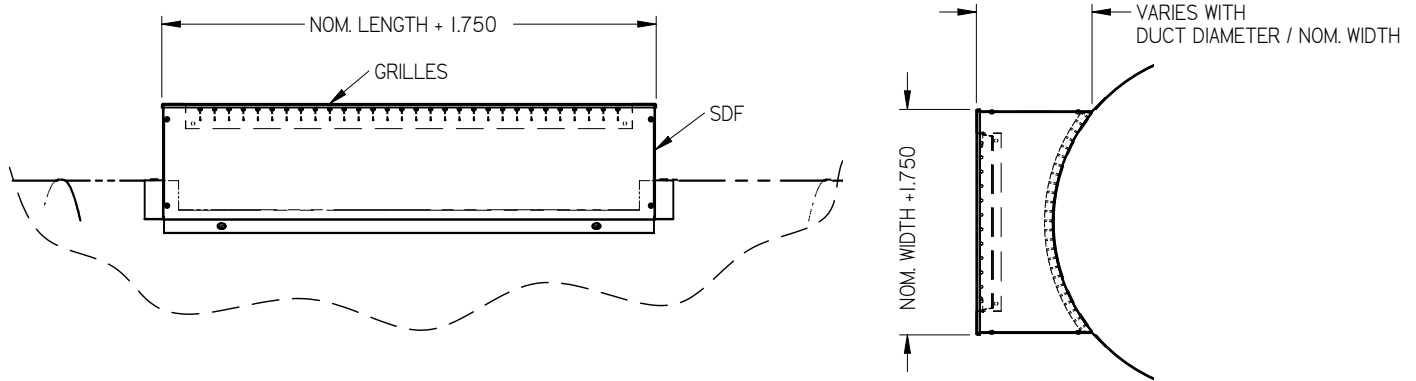
**530/535**  
STEEL RETURN  
GRILLES & REGISTERS

**SUBMITTAL DATE:**

**SPEC. SYMBOL:**

2014/05/23

SDF SPIRAL DUCT FRAME FOR 500, 600 SERIES



NOM. SIZE (WIDTH)	NOM. DUCT DIAMETER																	
	10	12	14	16	18	20	22	24	26	28	30	32	34	36	38	40	42	48
4	●	●	●	●	●	●	●	●	●	●	●	●	●	●	●	●		
5	●	●	●	●	●	●	●	●	●	●	●	●	●	●	●	●		
6	●	●	●	●	●	●	●	●	●	●	●	●	●	●	●	●		
7	●	●	●	●	●	●	●	●	●	●	●	●	●	●	●	●		
8	●	●	●	●	●	●	●	●	●	●	●	●	●	●	●	●		
9		●	●	●	●	●	●	●	●	●	●	●	●	●	●	●		
10			●	●	●	●	●	●	●	●	●	●	●	●	●	●		
11			●	●	●	●	●	●	●	●	●	●	●	●	●	●		
12				●	●	●	●	●	●	●	●	●	●	●	●	●	●	●
13					●	●	●	●	●	●	●	●	●	●	●	●	●	●
14						●	●	●	●	●	●	●	●	●	●	●	●	●
15							●	●	●	●	●	●	●	●	●	●	●	●
16								●	●	●	●	●	●	●	●	●	●	●

**MATERIAL:**

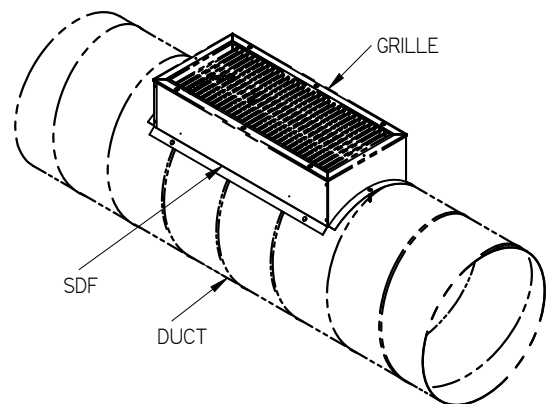
- GV GALVANIZED STEEL

**FINISH:**


- MILL FINISH

**NOTES:**

- INTENDED FOR USE IN SPIRAL OR ROUND DUCT APPLICATIONS
- AVAILABLE SIZES:  
MIN. - 6" X 4" (152 X 102)
- MAX. - 36" X 16" (914 X 406)
- AVAILABLE SIZE IN 1" INCREMENTS
- OPEN CELL FOAM INSULATION PROVIDES A TIGHT SEAL AROUND THE GRILLE OPENING IN ANY ROUND DUCT
- FITS 500, 600 SERIES GRILLES WITH "F" FRAME.
- FACTORY TOLERANCE +/- 1/32" (1)



ALL METRIC DIMENSIONS ( ) ARE SOFT CONVERTED. IMPERIAL DIMENSIONS ARE CONVERTED TO METRIC AND ROUNDED TO THE NEAREST MILLIMETER.

PROJECT:		<b>PRICE</b>
ENGINEER:		
CUSTOMER:		
SUBMITTAL DATE:		<b>252819</b>
SPEC. SYMBOL:		2009/07/17
		<b>SDF</b> <b>SPIRAL DUCT FRAME</b> FOR 500, 600 SERIES